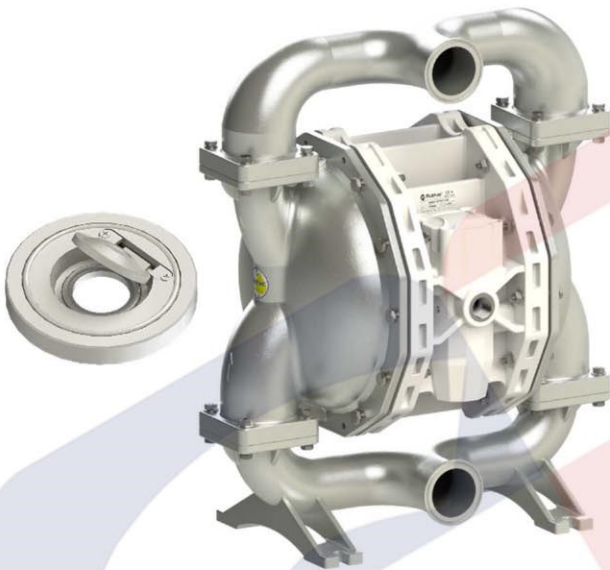


# FPF 700



**SS AISI 316  
ELECTROPOLISHED**



## TECHNICAL DATA

Fluid connections	<b>2"1/2 TRI-CLAMP</b>
Air connection	<b>3/4" BSP</b>
Max. Flow rate	<b>700 lt/min</b>
Max air pressure	<b>8 bar</b>
Max delivery head	<b>80 m</b>
Max Suction Lift Dry	<b>5 m</b>
Max Suction Lift Wet	<b>9,8 m</b>
Max Solid passing	<b>30 mm</b>
Noise level:	<b>78 dB</b>
Max Viscosity:	<b>50.000 cps</b>
Displacement per Stroke:	<b>3050 CC ~</b>

**Ex** EX II 3/3 GD C IIB T 135 °C

Displacement per stroke may vary based on suction condition, discharge head, air pressure and fluid type.

### WEIGHT

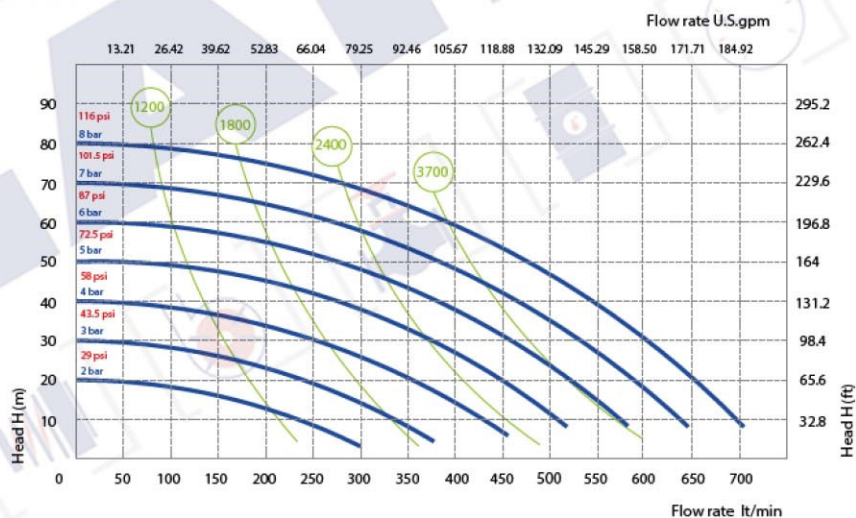
**51 KG**

### TEMPERATURE

**-20°C**

**+95°C**

## PERFORMANCE



The curves and performance values refer to pumps with submerged suction and free delivery outlet, with water at 20°C. These data may vary according to the construction materials and hydraulic conditions.

## COMPOSITION



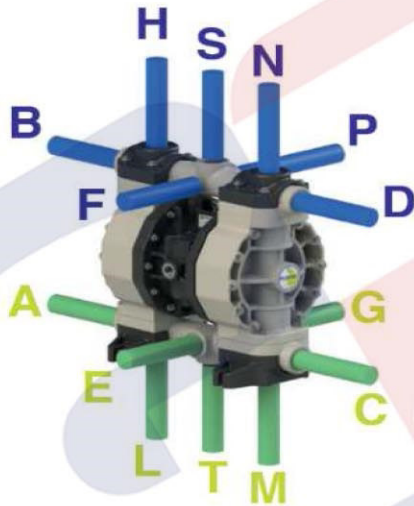
FLUIMAC S.r.l. - Via Ticino 2/4 - 21043 - Castiglione Olona - VA - ITALY  
[info@fluimac.com](mailto:info@fluimac.com) - [www.fluimac.com](http://www.fluimac.com)  
 tel. +39 0331 866688 - Fax +39 0331 864870  
 P.I./VAT 03259160129



# FPF 700



MODEL	CASING	DIAPHRAGM	FLAP	GASKET	CONNECTIONS	ATEX	PORTS
FPF0700	55 = 55 ELECTRO- POLISHED	HT = HYTREL+PTFE MT = SANTOPRENE+PTFE	S = 55	T = PTFE	1 = BSP 2 = FLANGED 3 = TRI-CLAMP 6 = DIN	-- ZONE 2	EF = STANDARD



## AVAILABLE CONNECTIONS

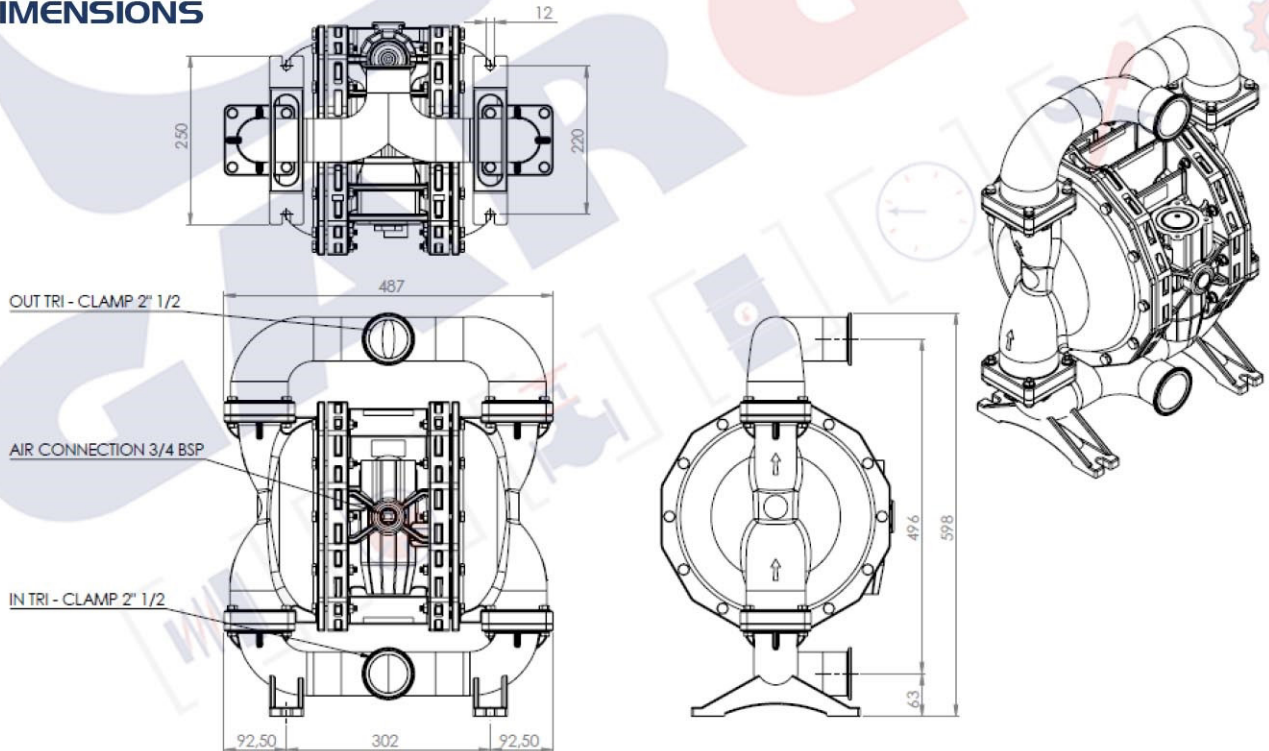
**DELIVERY: F-P**

**SUCTION: E-G**

## PACKING DIMENSION

CARTON BOX: 43 x 27 x 45 cm

## DIMENSIONS



Technical data are approximate and not binding for the manufacturer who reserves the right to change them without notice at any time.



FLUIMAC S.r.l. - Via Ticino 2/4 - 21043 - Castiglione Olona - VA - ITALY  
 info@fluimac.com - www.fluimac.com  
 tel. +39 0331 866688 - Fax +39 0331 864870  
 P.I./VAT 03259160129

